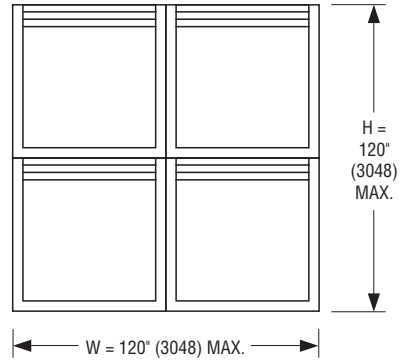
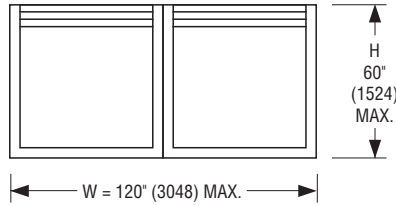
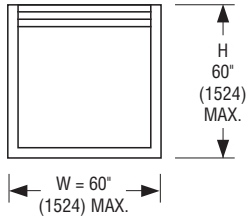
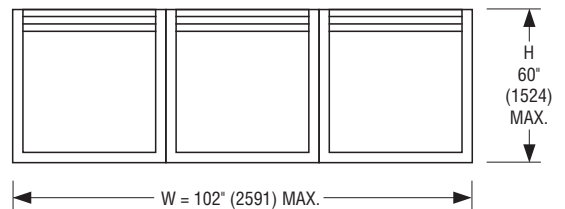
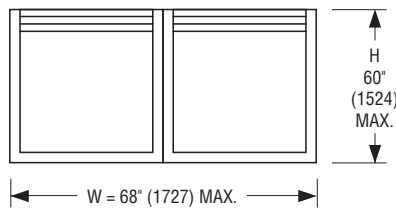
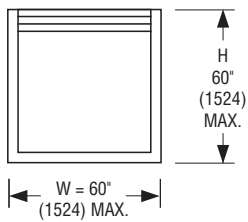
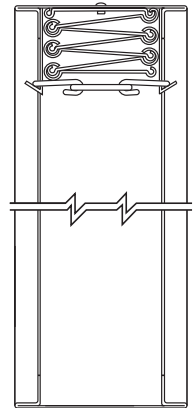


**VERTICAL INSTALLATION:**

**HORIZONTAL INSTALLATION:**

**Notes:**

1. The above diagrams illustrate the maximum sizes available for single section and multiple section assemblies.
2. Modules are equal divisions of nominal size.
3. Dimension "W" Width and "H" Height are maximum duct size.
4. Modules are manufactured 1/4" (6) under nominal duct size.

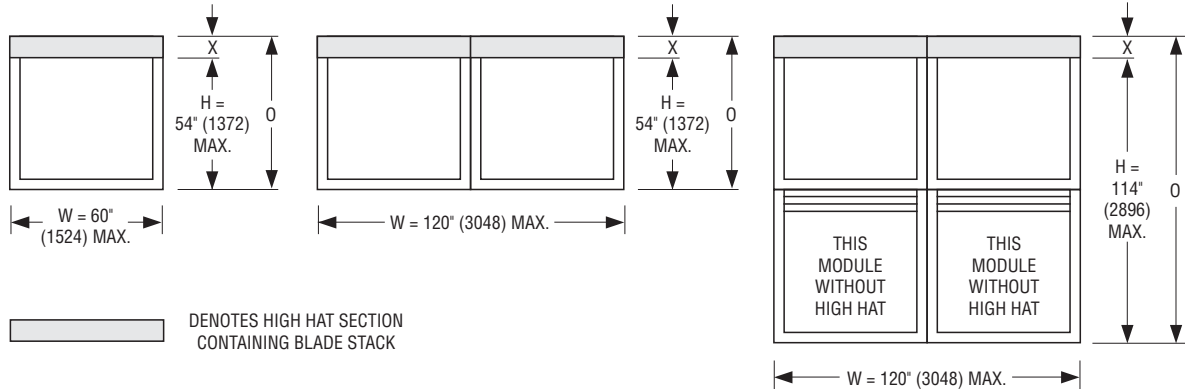
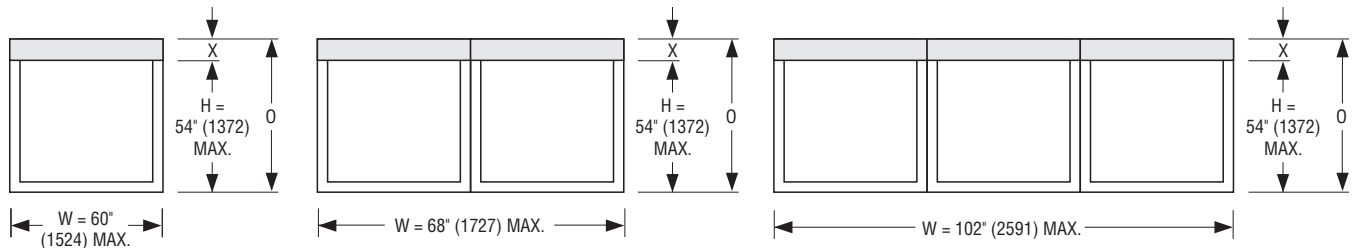


**MODEL 0110: TYPE A**  
 WIDTH AND HEIGHT =  
 NOMINAL SIZE - 1/4" (6)

**SCHEDULE TYPE:**
**PROJECT:**
**ENGINEER:**
**CONTRACTOR:**

Page 1 of 4  
 Dimensions are in inches (mm).

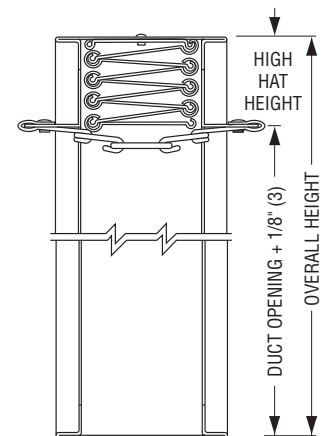
**DATE**
**B SERIES**
**SUPERSEDES**
**DRAWING NO.**
**9 - 24 - 13**
**0100**
**NEW**
**0100-MSSC**

**VERTICAL INSTALLATION:**

**HORIZONTAL INSTALLATION:**


Type B	H Dimension Nominal Duct Height	X Dimension High Hat	O Dimension Overall Height
<b>Single High Assemblies</b>	3" - 17" (76 - 432)	2" (51)	H + 2 1/8" (54)
	18" - 27" (457 - 686)	3" (76)	H + 3 1/8" (79)
	28" - 36" (711 - 914)	4" (102)	H + 4 1/8" (105)
	37" - 45" (940 - 1143)	5" (127)	H + 5 1/8" (130)
<b>Double High Assemblies</b>	46" - 54" (1168 - 1372)	6" (152)	H + 6 1/8" (156)
	55" - 76" (1397 - 1930)	4" (102)	H + 4 1/8" (105)
	77" - 95" (1956 - 2413)	5" (127)	H + 5 1/8" (130)
	96" - 114" (2438 - 2896)	6" (152)	H + 6 1/8" (156)

**Notes:**

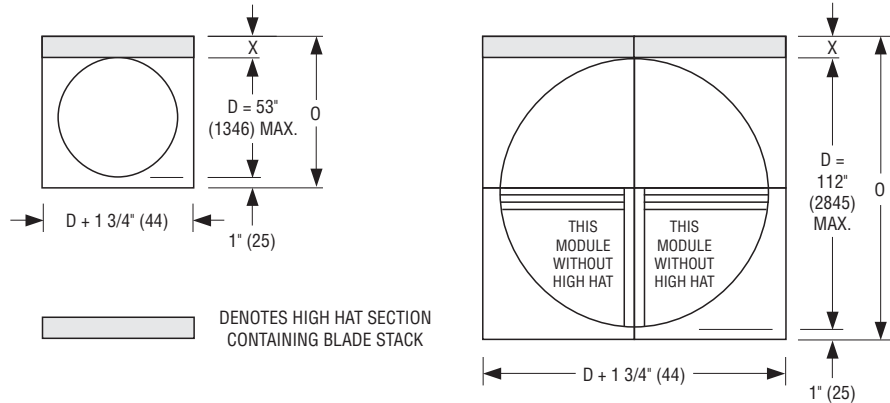
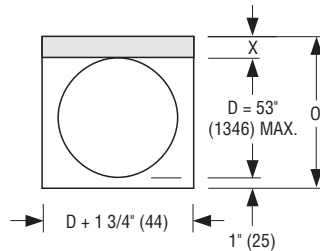
- The above diagrams illustrate the maximum sizes available for single section and multiple section assemblies.
- Modules are equal divisions of nominal size.
- Dimension "W" Width and "H" Height are maximum duct size.
- Modules without high hat section are manufactured 1/4" (6) under nominal duct size.
- Modules with high hat section are manufactured to nominal width minus 1/4" (6) and to nominal height plus 1/8" (3).
- "X" High Hat dimension and "O" Overall Damper Height are per the table above.


**MODEL 0120: TYPE B**  
 WIDTH = NOMINAL SIZE - 1/4" (6)

**SCHEDULE TYPE:**
**PROJECT:**
**ENGINEER:**
**CONTRACTOR:**

 Page 2 of 4  
 Dimensions are in inches (mm).

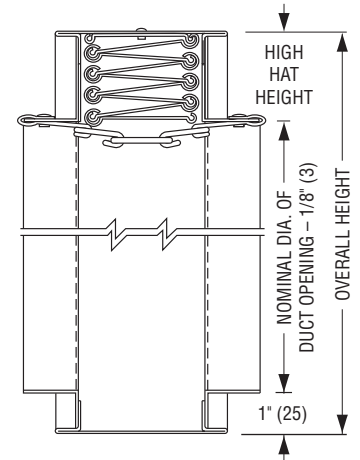
**DATE**
**B SERIES**
**SUPERSEDES**
**DRAWING NO.**
**9 - 24 - 13**
**0100**
**NEW**
**0100-MSSC**

**VERTICAL INSTALLATION:**

**HORIZONTAL INSTALLATION:**


Type CR	D Dimension Nom. Duct Diameter	X Dimension High Hat	O Dimension Overall Height
<b>Single High Assemblies</b>	3" - 17" (76 - 432)	2" (51)	D + 2 3/4" (70)
	18" - 27" (457 - 686)	3" (76)	D + 3 3/4" (95)
	28" - 36" (711 - 914)	4" (102)	D + 4 3/4" (121)
	37" - 45" (940 - 1143)	5" (127)	D + 5 3/4" (146)
<b>Double High Assemblies</b>	46" - 53" (1168 - 1346)	6" (152)	D + 6 3/4" (171)
	54" - 75" (1372 - 1905)	4" (102)	D + 4 3/4" (121)
	76" - 94" (1930 - 2388)	5" (127)	D + 5 3/4" (146)
	95" - 112" (2413 - 2845)	6" (152)	D + 6 3/4" (171)

**Notes:**

1. The above diagrams illustrate the maximum sizes available for single section and multiple section assemblies.
2. Modules are equal divisions of nominal size.
3. Dimension "D" Diameter is maximum duct size.
4. Modules are manufactured 1/8" (3) under nominal duct size.
5. "X" High Hat dimension and "O" Overall Damper Height are per the table above.

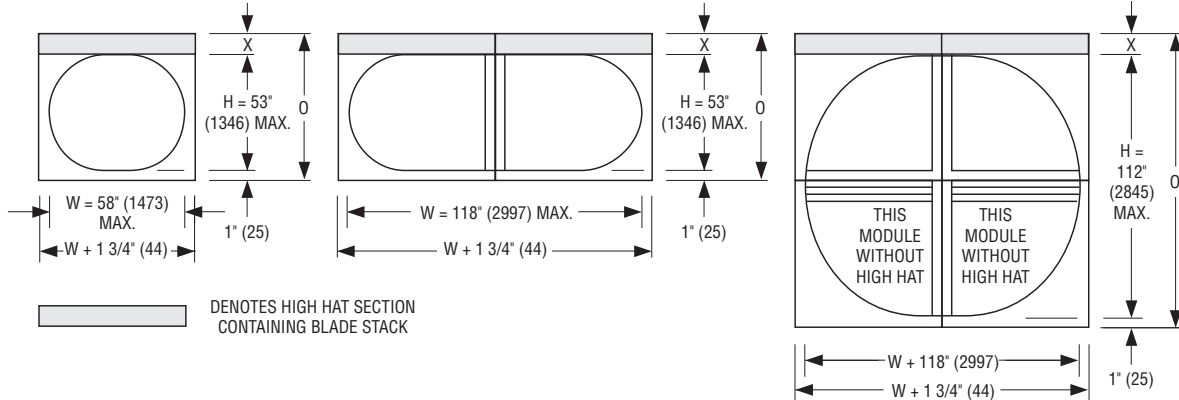
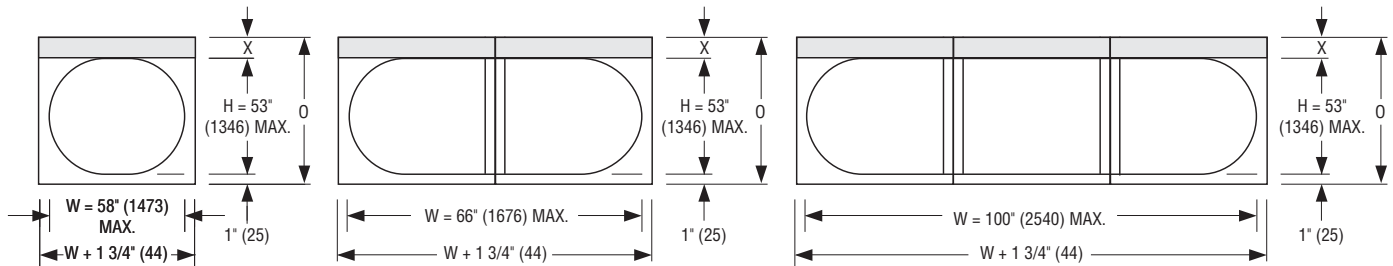


**MODEL 0130: TYPE CR ROUND**  
 OVERALL WIDTH = DUCT SIZE + 1 3/4" (44)

**SCHEDULE TYPE:**
**PROJECT:**
**ENGINEER:**
**CONTRACTOR:**

Page 3 of 4  
 Dimensions are in inches (mm).

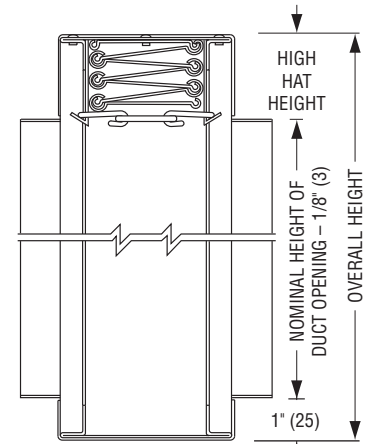
**DATE**
**B SERIES**
**SUPERSEDES**
**DRAWING NO.**
**9 - 24 - 13**
**0100**
**NEW**
**0100-MSSC**

**VERTICAL INSTALLATION:**

**HORIZONTAL INSTALLATION:**


Types CO/CSR	H Dimension Nominal Duct Height	X Dimension High Hat	O Dimension Overall Height
<b>Single High Assemblies</b>	3" - 17" (76 - 432)	2" (51)	H + 2 3/4" (70)
	18" - 27" (457 - 686)	3" (76)	H + 3 3/4" (95)
	28" - 36" (711 - 914)	4" (102)	H + 4 3/4" (121)
	37" - 45" (940 - 1143)	5" (127)	H + 5 3/4" (146)
<b>Double High Assemblies</b>	46" - 53" (1168 - 1346)	6" (152)	H + 6 3/4" (171)
	54" - 75" (1372 - 1905)	4" (102)	H + 4 3/4" (121)
	76" - 94" (1930 - 2388)	5" (127)	H + 5 3/4" (146)
	95" - 112" (2413 - 2845)	6" (152)	H + 6 3/4" (171)

**Notes:**

- The above diagrams illustrate the maximum sizes available for single section and multiple section assemblies. Type CO (flat oval duct) dampers are illustrated, but dimensions also apply to Type CSR (rectangular duct) dampers.
- Modules are equal divisions of nominal size.
- Dimension "W" Width and "H" Height are maximum duct size.
- Modules are manufactured 1/8" (3) under nominal duct size.
- "X" High Hat dimension and "O" Overall Damper Height are per the table above.



**MODEL: 0130 TYPE CO OVAL**  
**MODEL: 0140 TYPE CSR RECTANGULAR**  
 OVERALL WIDTH = DUCT SIZE + 1 3/4" (44)

**SCHEDULE TYPE:**
**PROJECT:**
**ENGINEER:**
**CONTRACTOR:**

 Page 4 of 4  
 Dimensions are in inches (mm).

**DATE**
**B SERIES**
**SUPERSEDES**
**DRAWING NO.**

9 - 24 - 13

0100

NEW

0100-MSSC