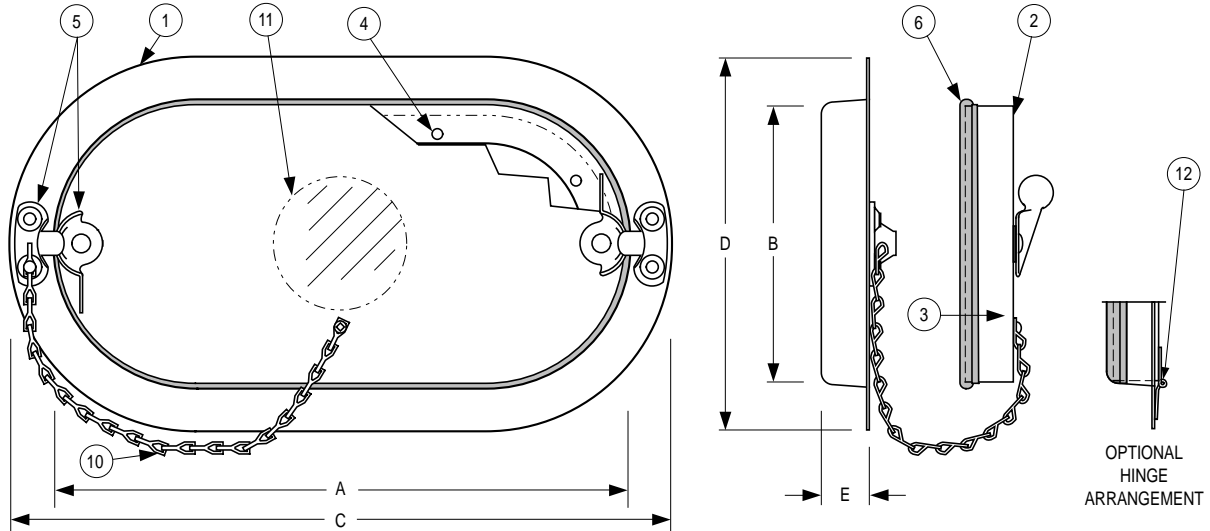




FLAT OVAL DUCT ACCESS DOORS
DOUBLE FLANGE • ULTRA-LOW LEAKAGE
SIZES: 8 x 5, 12 x 6 AND 18 x 10
MODEL SERIES: 0800 TYPE M1

FOR USE IN LOW, MEDIUM AND HIGH PRESSURE DUCT SYSTEMS



Dimensional Data (W x H):

Nominal Size	A	B	C	D	E	Viewport	Qty. Per Carton
8 x 5 (203 x 127)	8 (203)	5 (127)	9 1/2 (241)	6 1/2 (165)	1 1/8 (29)	n/a	20
12 x 6 (305 x 152)	11 3/4 (298)	5 3/4 (146)	13 3/4 (349)	7 3/4 (197)	1 1/8 (29)	2 3/4 dia. (70)	10
18 x 10 (457 x 254)	17 3/4 (451)	9 3/4 (248)	19 3/4 (502)	11 3/4 (298)	1 1/8 (29)	5 1/2 dia. (140)	10

MODEL DESCRIPTION:

Ultra-low leakage, premium quality and performance access door. Flat oval design optimizes access area and simplifies installation. Double flanged door with pre-punched holes on inner flange for surface mounting. (Type M1). Camlock operation for positive seal and easy opening.

STANDARD CONSTRUCTION:

1. Die-formed 22 ga. (.85) galv. flanged frame for extra strength.
2. Die-formed 22 ga. (.85) galv. door panel for extra strength.
3. 1" (25) insulation with 22 ga. (.85) galv. backing plate.
4. 3/16" (5) dia. pre-punched attachment holes on inner flange for surface mounting (standard).
5. Plated steel camlock fasteners.
6. Positive bulb door seal.
7. Layout template included on carton.
8. Oval shaped opening adaptable to all ducts 5" (127) or over.

OPTIONS:

9. PO 3/16" (5) dia. pre-punched attachment holes on outer flange for flush mounting.
10. SC Safety chain.
11. VP Viewport.
12. HG Hinge arrangement.
13. UI Uninsulated.

LEAKAGE INFORMATION:

Tested in conformance to British Standard DW142 Class C. The maximum leakage at 8" w.g. (2 kPa):
 8" x 5" (203 x 127): 0.036 cfm (1.02 l/min.)
 12" x 6" (305 x 152): 0.064 cfm (1.8 l/min.)
 18" x 10" (457 x 254): 0.133 cfm (3.78 l/min.)

SCHEDULE TYPE:	
PROJECT:	
ENGINEER:	
CONTRACTOR:	

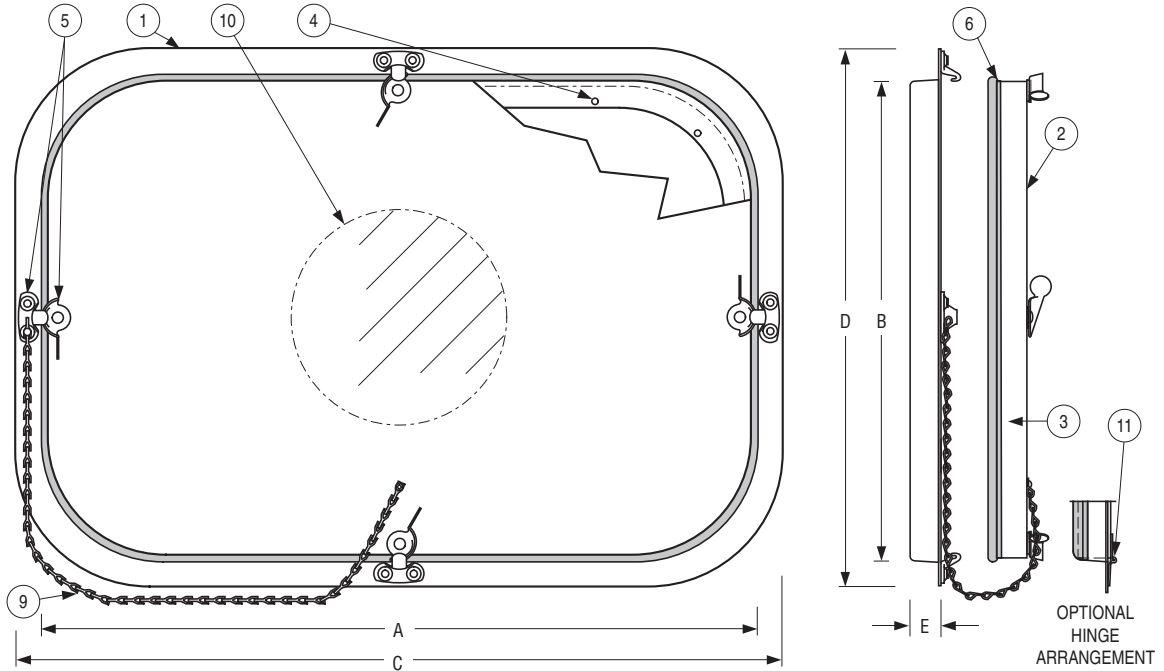
Page 1 of 2
 Dimensions are in inches (mm).

DATE	B SERIES	SUPERSEDES	DRAWING NO.
1 - 30 - 13	0800	4 - 20 - 04	0800-1



FLAT OVAL DUCT ACCESS DOORS
DOUBLE FLANGE • ULTRA-LOW LEAKAGE
SIZES: 21 x 14 AND 25 x 17
MODEL SERIES: 0800 TYPE M1

FOR USE IN LOW, MEDIUM AND HIGH PRESSURE DUCT SYSTEMS



Dimensional Data (W x H):

Nominal Size	A	B	C	D	E	Viewport	Qty. Per Carton
21 x 14 (533 x 356)	20 3/4 (527)	13 3/4 (349)	22 3/4 (578)	15 3/4 (400)	1 1/8 (29)	5 1/2 dia. (140)	5
25 x 17 (635 x 432)	24 3/4 (629)	16 3/4 (425)	26 3/4 (679)	18 3/4 (476)	1 1/8 (29)	5 1/2 dia. (140)	4

MODEL DESCRIPTION:

Ultra-low leakage, premium quality and performance access door. Flat oval design optimizes access area and simplifies installation. Double flanged door with pre-punched holes on inner flange for surface mounting. (Type M1). Camlock operation for positive seal and easy opening.

STANDARD CONSTRUCTION:

- Die-formed 22 ga. (.85) galv. flanged frame for extra strength.
- Die-formed 22 ga. (.85) galv. door panel for extra strength.
- 1" (25) insulation with 22 ga. (.85) galvanized backing plate.
- 3/16" (5) dia. pre-punched attachment holes on inner flange for surface mounting.
- Plated steel camlock fasteners.
- Positive bulb door seal.
- Layout template included on carton.

OPTIONS:

- PO 3/16" (5) dia. pre-punched attachment holes on outer flange for flush mounting.
- SC Safety chain.
- VP Viewport.
- HG Hinge arrangement.
- UI Uninsulated.

LEAKAGE INFORMATION:

Tested in conformance to British Standard DW142 Class C. The maximum leakage at 8" w.g. (2 kPa):
 21" x 14" (533 x 356): 0.206 cfm (5.82 l/min.)
 25" x 17" (635 x 432): 0.286 cfm (8.1 l/min.)

SCHEDULE TYPE:	
PROJECT:	
ENGINEER:	
CONTRACTOR:	

Page 2 of 2
 Dimensions are in inches (mm).

DATE	B SERIES	SUPERSEDES	DRAWING NO.
1 - 30 - 13	0800	4 - 20 - 04	0800-1