



HAND LOCKING QUADRANT
 FOR USE WITH MANUAL BALANCING AND AIR CONTROL DAMPERS
MODEL: CD QUAD (HLQ DAMPER ACCESSORY OPTION)

DESCRIPTION:

The Nailor CDQUAD Hand Locking Quadrant is primarily designed for use with the Nailor Multi-Blade 1800 Series Manual Balancing Dampers, 1000, 1100 and 2000 Series Control Dampers.

It mounts directly over a 1/2" (13) dia. lock-on drive shaft or a rigid 1/2" (13) dia. drive shaft and is secured with a carriage bolt.

The CDQUAD is provided with pre-drilled mounting holes for convenient installation and the design ensures that the mounting screws do not interfere with any damper side linkage that may be hidden inside the damper frame channel.

MATERIAL:

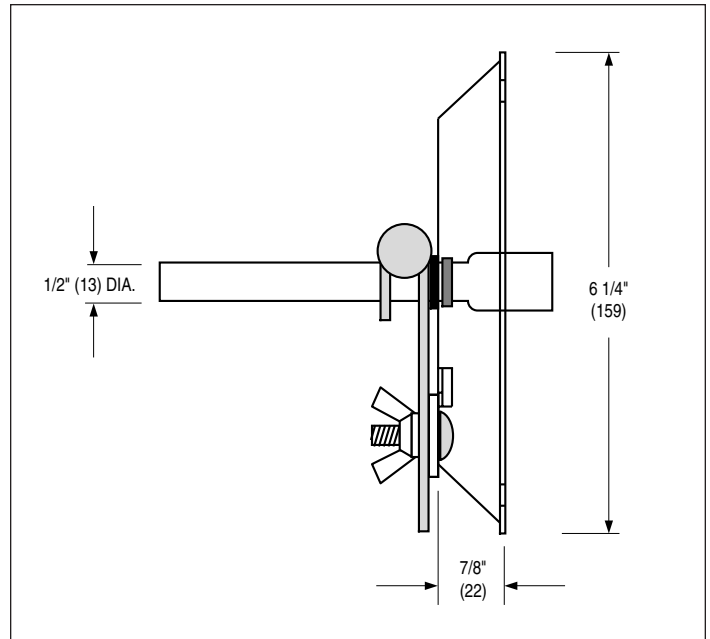
16 ga. (1.6) galvanized steel 1" (25) stand-off mounting bracket.

Plated steel quadrant and hardware.

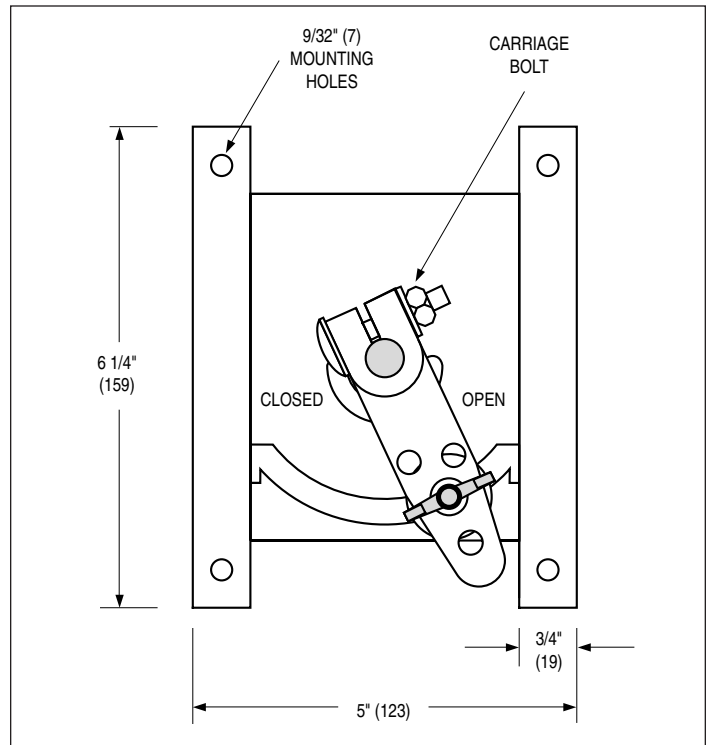
Celcon® bearings.

OPTIONS:

- HQ2 Hand-locking quadrant with 2" (51) stand-off bracket



SIDE VIEW OF HAND QUADRANT



FACE VIEW OF HAND QUADRANT

SCHEDULE TYPE:		Dimensions are in inches (mm).			
PROJECT:					
ENGINEER:	DATE	B SERIES	SUPERSEDES	DRAWING NO.	
CONTRACTOR:	10 - 5 - 99RR	1800	10 - 95	1800-QUAD	