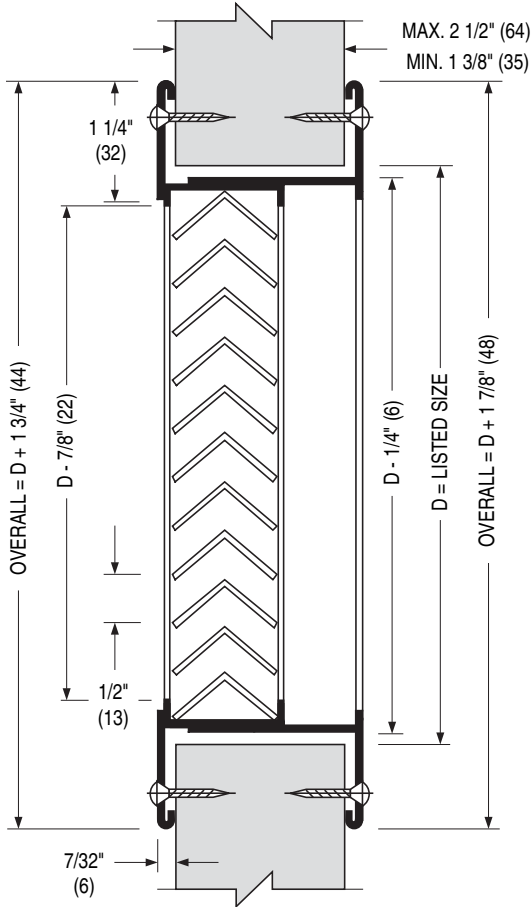
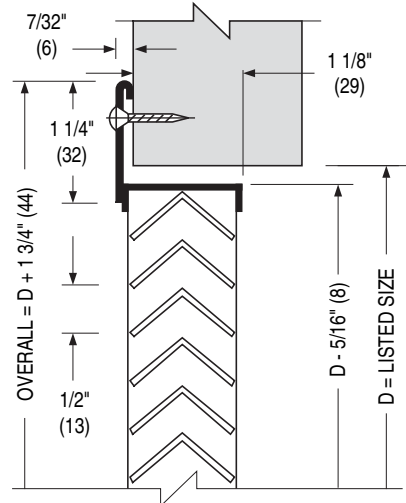
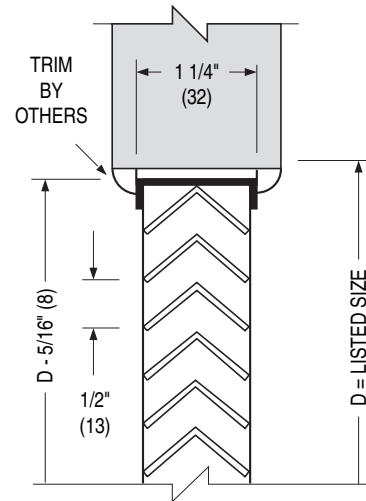


**MODEL 61DGD (DOUBLE FLANGE)**


AUXILIARY FRAME ASSEMBLY

 **MODEL 61DGS (SINGLE FLANGE)**


CORE AND FLANGE FRAME ASSEMBLY

 **MODEL 61DGC (CORE ONLY)**


CORE AND CHANNEL FRAME ASSEMBLY

**DESCRIPTION:**

1. Construction: Corrosion-resistant steel. Roll-formed frame mechanically interlocked with reinforced mitered corners for strength. Heavy duty inverted 'V' louvers in 22 ga. (0.86) steel provides rigidity and strength and are mechanically locked in place using a double tab and slot method.
2. Model Series 61DG offers the largest free area possible with a completely sight-proof design, utilizing a 90° inverted 'V' louver on 1/2" (13) centers. Solid construction will tolerate abuse from bumps and kicks. The 61DG Series Door Grille may also be used as a transfer grille and in place of standard design exhaust and return air grilles where it is important that the interior of the plenum or duct be concealed.
3. Minimum size is 6" x 4" (152 x 102).  
Maximum size is 36" x 36" (914 x 914).  
Available in nominal 2" (51) increments.
4. Standard fastening is Type 'A' countersunk screw holes.
5. Standard finish is AW Appliance White.

**OPTIONS:**

1. Finish:  
 SP Special \_\_\_\_\_ .

Dimensions are in inches (mm).

<b>SCHEDULE TYPE:</b>			
<b>PROJECT:</b>			
<b>ENGINEER:</b>			
<b>CONTRACTOR:</b>			
<b>DATE</b>	<b>B SERIES</b>	<b>SUPERSEDES</b>	<b>DRAWING NO.</b>
2 - 1 - 11	6100	6100-9/11-8-07	61DG-1