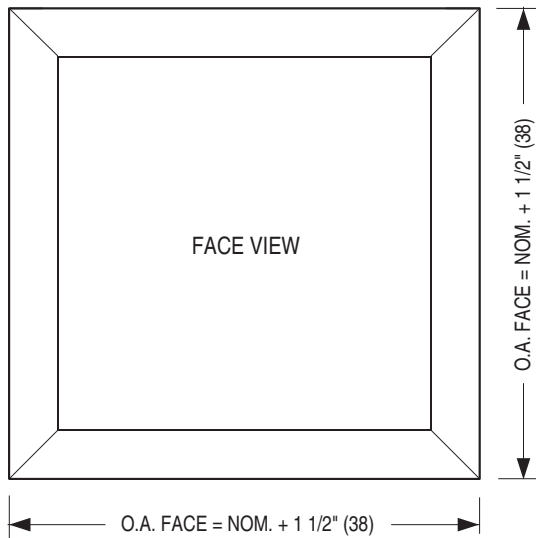
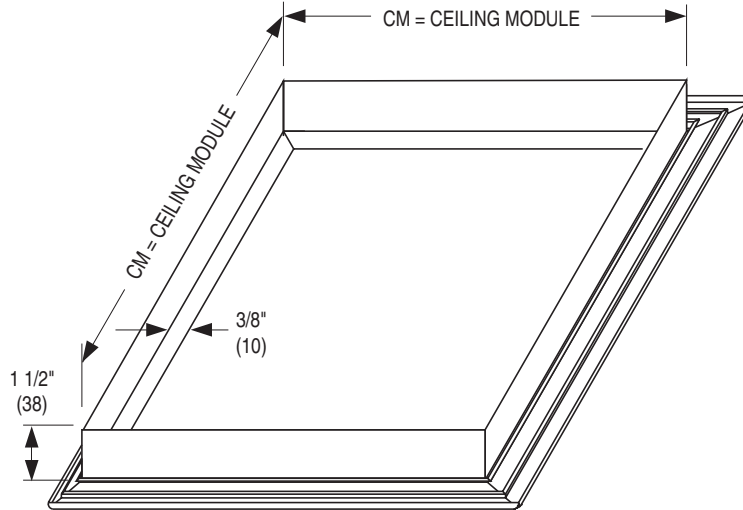


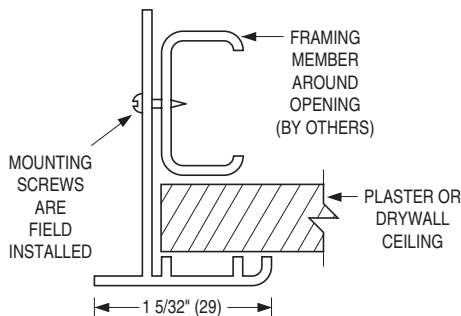


CEILING DIFFUSER ACCESSORIES
DRYWALL/PLASTER FRAME • ALUMINUM
MODEL: DFA

ALUMINUM SURFACE MOUNT ADAPTOR FRAME FOR
MODEL SERIES RNS, 4300, 4600 OR UNI LAY-IN T-BAR DIFFUSERS



TYPICAL INSTALLATION



DESCRIPTION:

The Model DFA is for mounting in finished drywall or plaster ceilings to accept any standard lay-in type diffuser.

It allows the retrofit of lay-in diffusers and simplified installation of flexible duct in surface mount applications.

Model DFA is installed quickly and easily and is suitable for variable ceiling thicknesses. Installation requires framing of the opening with "C" channel or wood for attachment with mounting screws (by others).

The finished appearance is professional and aesthetically pleasing.

Model DFA simplifies and reduces installation time compared with surface mount type diffusers.

A major benefit is that the diffuser allows ceiling access for maintenance purposes in lieu of separate access doors.

Material: Aluminum extrusion with staked and mitered corners.

Standard Finish: AW Appliance White.

OPTIONS:

Finish:

SP Special _____ .

AVAILABLE CEILING MODULES:

IMPERIAL MODULES		METRIC MODULES
Imperial Units (inches)	S.I. Units (mm)	S.I. Units (mm)
12 x 12	305 x 305	300 x 300
16 x 16	406 x 406	400 x 400
20 x 20	508 x 508	500 x 500
24 x 12	610 x 305	600 x 300
24 x 24	610 x 610	600 x 600
36 x 24	914 x 610	900 x 600
48 x 12	1219 x 305	1200 x 300
48 x 24	1219 x 610	1200 x 600
60 x 12	1524 x 305	1500 x 300

Ceiling opening = CM + 1/4" (6)

Dimensions are in inches (mm).

SCHEDULE TYPE:	
PROJECT:	
ENGINEER:	
CONTRACTOR:	

DATE	B SERIES	SUPERSEDES	DRAWING NO.
10 - 3 - 19	ACC-DIF.	19 - 5 - 00R	ACC-DFA