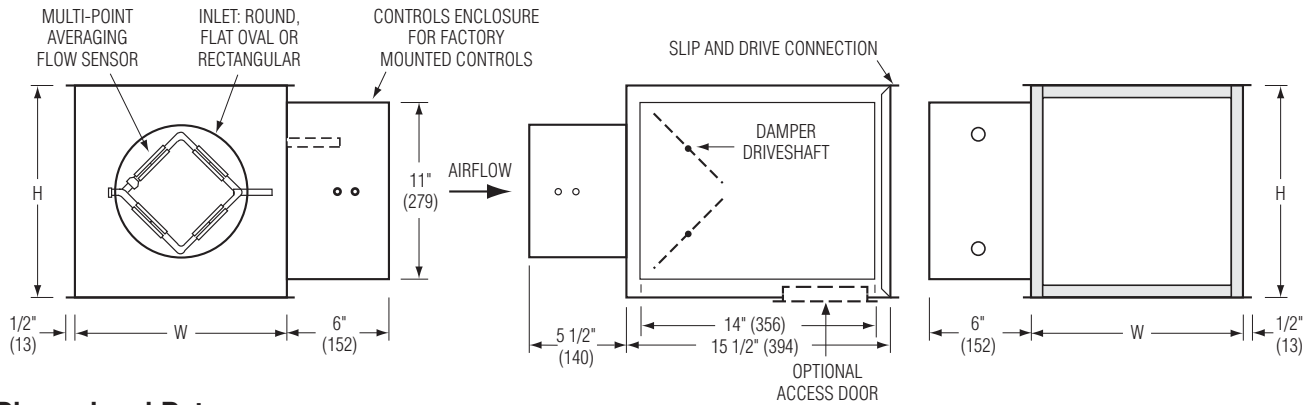




SINGLE DUCT TERMINAL UNIT
 DIGITAL OR ANALOG ELECTRONIC CONTROLS
 PRESSURE INDEPENDENT
 CONSTANT OR VARIABLE VOLUME
MODELS: D3001 AND A3001



Dimensional Data

| Unit Size | Airflow Range * cfm (l/s) | W | H | Inlet Size |
|-----------|------------------------------|----------|--------------|-------------------------------------|
| 4 | 0 – 225 (0 – 106) | 10 (254) | 10 (254) | 3 7/8 (98) Round |
| 5 | 0 – 400 (0 – 189) | 10 (254) | 10 (254) | 4 7/8 (124) Round |
| 6 | 0 – 550 (0 – 260) | 10 (254) | 10 (254) | 5 7/8 (149) Round |
| 7 | 0 – 800 (0 – 378) | 12 (305) | 12 1/2 (318) | 6 7/8 (175) Round |
| 8 | 0 – 1100 (0 – 519) | 12 (305) | 12 1/2 (318) | 7 7/8 (200) Round |
| 9 | 0 – 1400 (0 – 661) | 14 (356) | 12 1/2 (318) | 8 7/8 (225) Round |
| 10 | 0 – 1840 (0 – 868) | 14 (356) | 12 1/2 (318) | 9 7/8 (251) Round |
| 12 | 0 – 2500 (0 – 1180) | 18 (457) | 12 1/2 (318) | 12 15/16 x 9 13/16 (329 x 249) Oval |
| 14 | 0 – 3125 (0 – 1475) | 24 (610) | 12 1/2 (318) | 16 1/16 x 9 13/16 (408 x 249) Oval |
| 16 | 0 – 3725 (0 – 1758) | 28 (711) | 12 1/2 (318) | 19 3/16 x 9 13/16 (487 x 249) Oval |
| 24 x 16 | 0 – 8330 (0 – 3931) | 38 (965) | 18 (457) | 23 7/8 x 15 7/8 (606 x 403) Rect. |

* Maximum airflow limit is based upon 1.5" w.g. (373 Pa) max. differential pressure signal from Diamond Flow Sensor.

Standard Features:

- 22 ga. (0.86) zinc coated steel casing, mechanically sealed, low leakage construction.
- 16 ga. (1.63) corrosion-resistant steel inclined opposed blade damper with extruded PVC seals (single blade on size 4, 5, 6). 45° rotation, CW to close. Tight close-off. Damper leakage is less than 2% of the terminal rated airflow at 3" w.g. (750 Pa).
- 1/2" (13) dia. plated steel drive shaft. An indicator mark on the end of the shaft shows damper position.
- Multi-point averaging Diamond Flow Sensor. Aluminum construction. Supplied with balancing tees.
- Rectangular discharge with slip and drive cleat duct connection.
- Full NEMA 1 type controls enclosure for factory mounted controls.

- 3/4" (19), dual density insulation, exposed edges coated to prevent air erosion. Meets the requirements of NFPA 90A and UL 181.
 - Right-hand controls location is standard (shown) when looking in direction of airflow. Optional left hand controls mounting is available.
 - Model D3001 can be installed horizontally, vertical or at any angle. Operation is not affected by position.
- Controls:**
- Digital (Nailor EZvav).
 - Digital (by others).
 - Analog (by Nailor).
- See separate submittal.

Options and Accessories:

- Steri-liner.
 - Fiber-free liner.
 - Solid metal liner.
 - Perforated Metal Liner.
 - 1" (25) liner.
 - Bottom access door.
 - 24 VAC control transformer.
 - Toggle disconnect switch.
 - Hanger brackets.
 - Controls enclosure for field mounted controls.
 - Dust tight enclosure seal.
 - 20 ga. (1.00) construction.
- Seismic Certification:
- SSI (Standard)
 - OSHPD
 - Special Features: _____

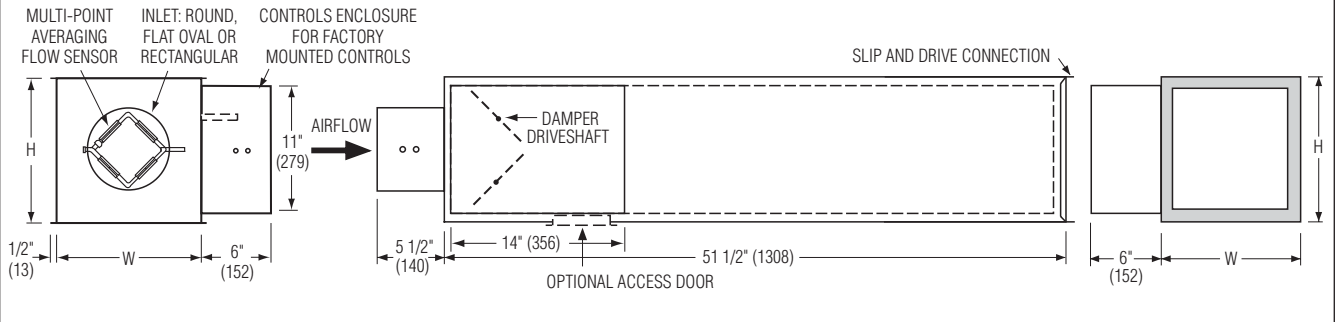


| | |
|-----------------------|--|
| SCHEDULE TYPE: | |
| PROJECT: | |
| ENGINEER: | |
| CONTRACTOR: | |

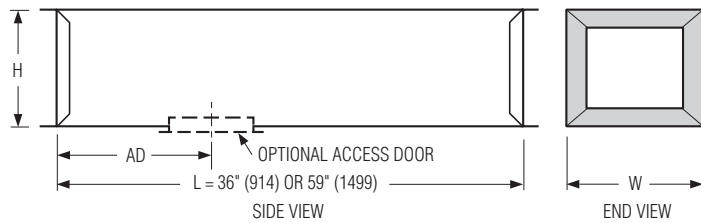
| | | | |
|-------------|-----------------|-------------------|--------------------|
| DATE | B SERIES | SUPERSEDES | DRAWING NO. |
| 3 - 12 - 18 | 3000 | 7 - 17 - 17 | D3001-1 |

Integral Sound Attenuator

- Single continuous length terminal construction minimizes casing leakage.
- Continuous internal insulation reduces insulation seams and minimizes airflow disturbance.
- Supplied with same liner as basic unit.

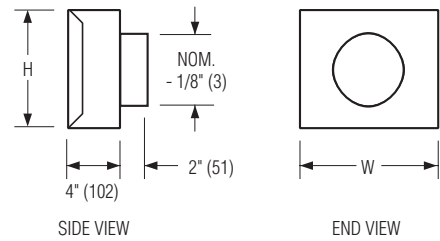


AT Discharge Sound Attenuator (loose)



- 22 ga. (0.86) galvanized steel construction.
 - Shipped loose for field attachment.
 - Slip and drive connection.
 - Supplied as standard with same liner as basic unit.
- AT303 3' (916) Long - Standard.**
 - AT305 5' (1524) Long - Optional.**
 - Special Features:** _____

FF Round Discharge Collar



Dimensional Data

| Unit Size | W | H | AD | FF Nominal Outlet Size |
|-----------|----------|--------------|----------|-------------------------|
| 4, 5, 6 | 10 (254) | 10 (254) | 12 (305) | 4, 5, 6 (102, 127, 152) |
| 7, 8 | 12 (305) | 12 1/2 (318) | 12 (305) | 7, 8 (178, 203) |
| 9, 10 | 14 (356) | 12 1/2 (318) | 12 (305) | 9, 10 (229, 254) |
| 12 | 18 (457) | 12 1/2 (318) | 12 (305) | 12 (305) |
| 14 | 24 (610) | 12 1/2 (318) | 12 (305) | 14 (356) |
| 16 | 28 (711) | 12 1/2 (318) | 12 (305) | 16 (406) |
| 24 X 16 | 38 (965) | 18 (457) | 12 (305) | - |

| | | | | |
|-----------------------|-------------|-----------------|-------------------|--------------------|
| SCHEDULE TYPE: | | | | |
| PROJECT: | | | | |
| ENGINEER: | DATE | B SERIES | SUPERSEDES | DRAWING NO. |
| CONTRACTOR: | 3 - 12 - 18 | 3000 | 7 - 17 - 17 | D3001-1 |