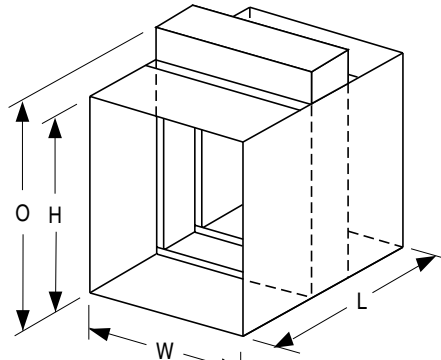
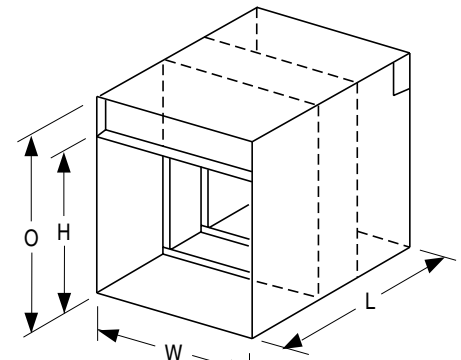


TYPE 'A'
BLADES AND FRAME IN AIRSTREAM



STYLE 1 (OPTIONAL)



STYLE 2 (STANDARD)

TYPE 'B' BLADES OUT OF AIRSTREAM

NOTES:

1. Dimensional Data.

- W = Nominal duct width
- H = Nominal duct height
- L = Sleeve length
- O = Overall damper height

For 'O' dimension and relationship to duct height, refer to dwgs. FDSC (standard frame) or FDTSC (thinline frame) depending on damper model.

Type CR duct collars are furnished 1/8" (3) undersize for duct dimensions up to 36" dia. (914) and 1/4" (6) undersize on larger sizes.

Type CO and CSR duct collars are furnished 1/8" (3) undersize for duct dimensions up to 36" x 24" (914 x 610) and 1/4" (6) undersize on larger sizes. Collars are 1 1/4" (32) minimum length.

- 2. Sleeves are available in lengths up to 36" (914) and in 10 through 22 gauge (3.51 through 0.85) galvanized steel as required for application.

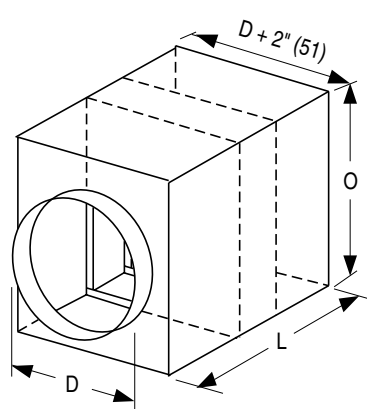
Standard sleeve is 12" (305) long x 20 gauge (1.01).

Sleeve gauge must conform to SMACNA Duct Construction Standards and shall not be less than the gauge of the duct to which it is attached for sleeves exposed to the airstream.

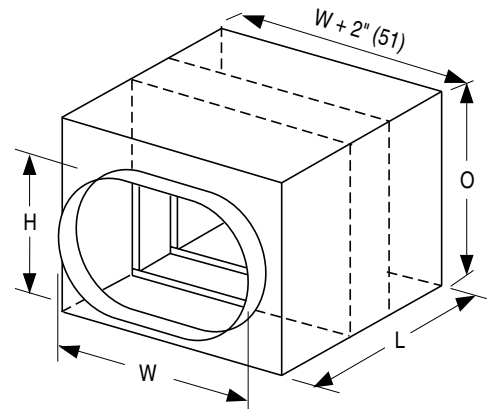
- 3. See individual models for minimum and maximum size limitations.
- 4. Dampers are centered in sleeve unless specified otherwise.
- 5. Multiple section damper assemblies are shipped knocked down for field assembly.

Type CR, CO and CSR Option:

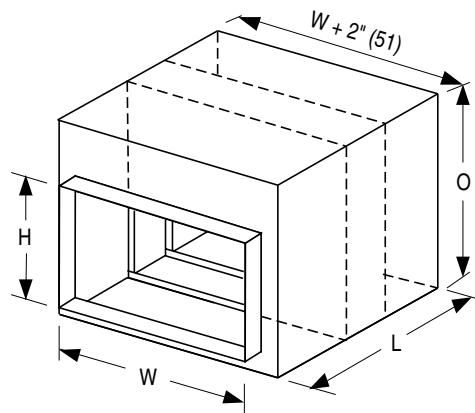
- LP Unsealed. Suitable for low pressure systems.
- HP Sealed. Suitable for medium/high pressure systems. Externally caulked (up to 6" w.g./1.5 kPa).



TYPE 'CR'
ROUND TRANSITION COLLARS/DUCT.
100% FREE AREA.



TYPE 'CO'
FLAT OVAL TRANSITION COLLARS/DUCT.
100% FREE AREA.



TYPE 'CSR'
RECTANGULAR TRANSITION COLLARS/DUCT. 100% FREE AREA.

Dimensions are in inches (mm).



Houston, Texas
Tel: 281-590-1172
Fax: 281-590-3086

Ft. Lauderdale, Florida
Tel: 954-351-2444
Fax: 954-351-2440

Toronto, Canada
Tel: 416-744-3300
Fax: 416-744-3360

Calgary, Canada
Tel: 403-279-8619
Fax: 403-279-5035